

BIG 903

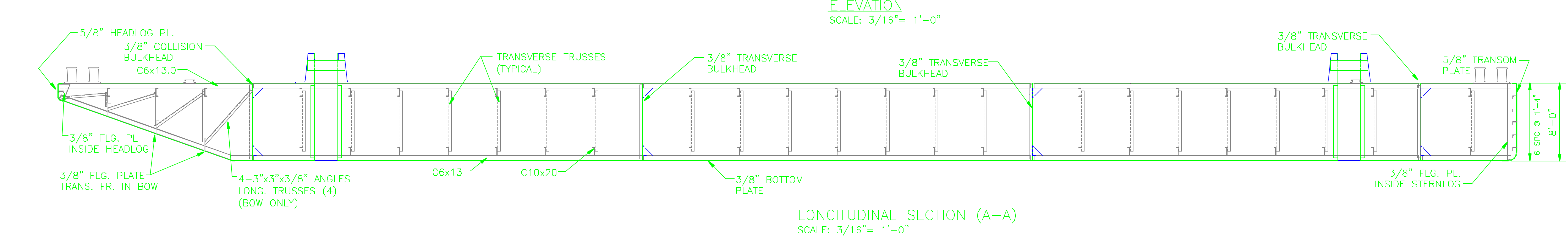
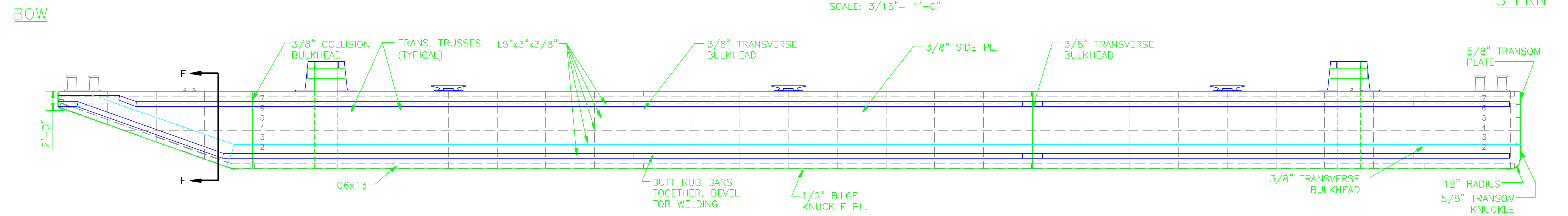
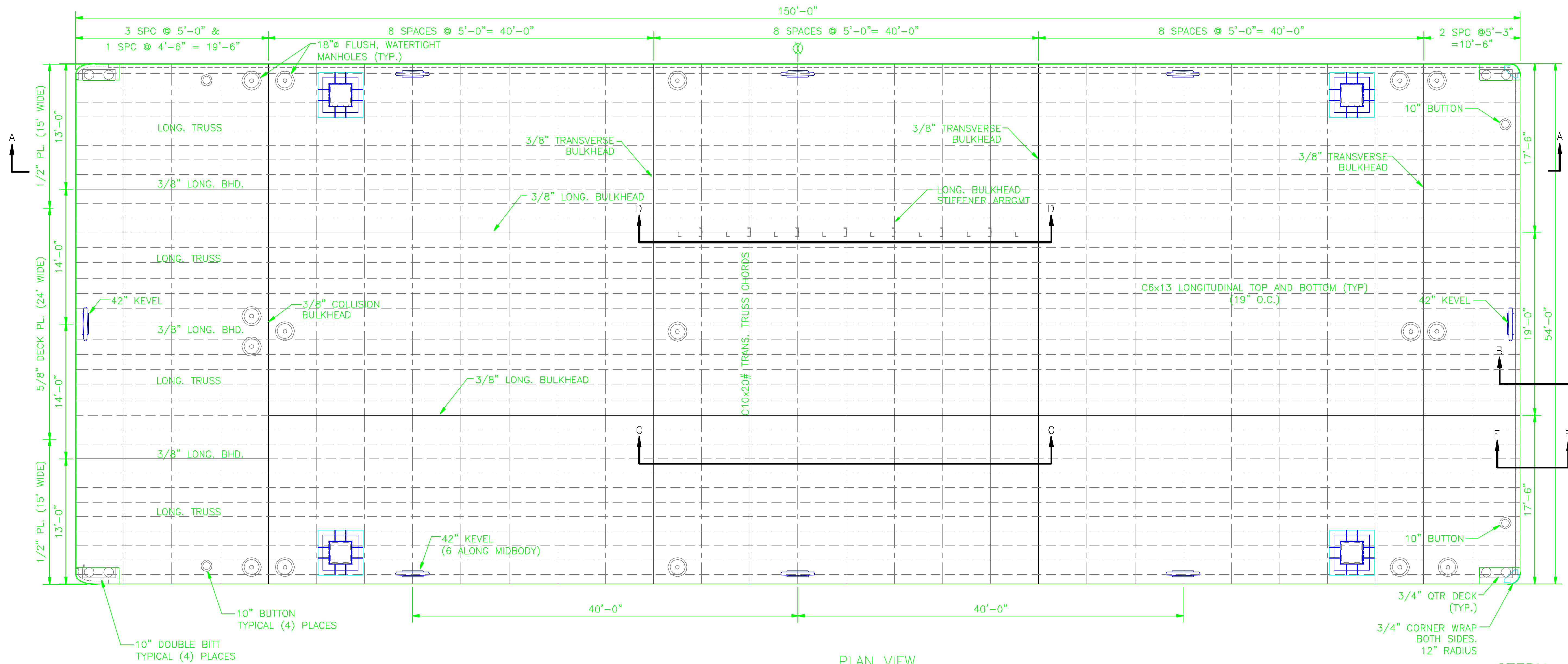
Design Specifications - Flat Deck Crane/Spud Barge (Hull E-09-41)

02/17/2009

**CERES CONSULTING, L.L.C.**  
3808 Cookson Road  
E. St. Louis, IL 62201-2126

Length	150'-0" (Single rake approximately 19'6")
Width	54'-0"
Depth	8'-0"
Watertight Compartments	16 (4-bow, 9 mid-body, 3-stern)
Plating	3/4" corner plates 3/4" quarter decks 5/8" Deck (center 24'), 1/2" Deck (Outer 15') 3/8" sides (upper 3' 6") 3/8" bottom, 3/8" rake bottom 1/2" bilge knuckles (4' 6" and below) 5/8" headlog 5/8" transom
Framing	Deck longitudinal 18" centers (L 6" x 4" x 3/8") angles (12.30#) Deck longitudinal 18" centers (L 6" x 4" x 1/2") angles (16.20#) Crane runway (4 pieces each) Bottom longitudinal 18" centers (L 6" x 4" x 3/8") angles (12.30#) Side longitudinal 16" centers (L 5" x 3" x 3/8") angles (9.8# P/LF)
Transverse Framing	Spacing 5' centers Top 10" channel (C 10" x 20#) Bottom 10" channel (C 10" x 20#) Diagonals L4" x 4" x 5/16" angle (8.2# P/LF) Uprights L6" x 6" x 3/8" angle (14.9# P/LF)
Twin Tracking	
Longitudinal Bulkheads (6)	3/8" plating with L5" x 3" x 3/8" angles, one at each side at truss, and one angle between trusses both sides
Rake Long Bulkheads (3)	3/8" plating with L5" x 3" x 3/8" angles, one at each side at truss, and one angle between trusses both sides
Transverse Bulkheads (4)	3/8" plating with L4" x 3" x 5/16" angles 18" centers
Bits	4-10" Double Bits (1 each corner)
Kevels	8- 42" kevels (6 mid-body gunnels, 1 each end longitudinal centerline)
Buttons, Chocks	4- 10" Buttons (2 bow, 2 stern) plus 2- 9" open chocks (bow)
Manholes	20-18" "T-Bolt" flush watertight (galvanized lids) with access ladders
Rub Bars	Upper continuous 3/4" x 8" and lower continuous 3/4" x 8"
Zinc Anodes	6" x 12" x 1 1/4" weld (48)
Spud Wells	4- 27" x 27" x 11'6"
Spuds (optional)	2 - 24" x 24" x 60' or 24" x 24" x 48'





REVISIONS

#	DATE	DESCRIPTION

MARINE CONSULTANT

**Manley Brothers LLC**  
12206 Roger Ln.  
St. Louis, MO 63131  
314-909-7106

**EAGLE FABRICATION**  
#1 RIVERVIEW AVENUE  
SAUGET, ILLINOIS 62201  
618/875-1153

**150'x54'x8" DECK BARGE**  
HULL "E-03-11"  
HULL "E-04-12"

TITLE  
GENERAL ARRANGEMENT

ISSUE DATE  
9/7/03

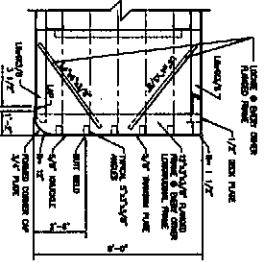
PROJECT NO.  
M0903112

DRAWING NO.  
G01

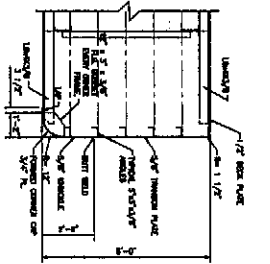
SIGNATURE



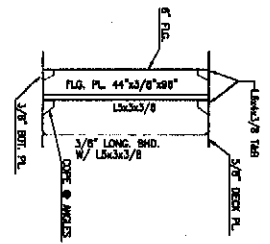
SECTION THRU TRANSOM (B-B)  
SCALE 3/8" = 1'-0"



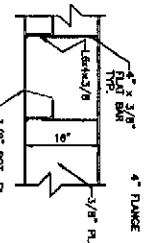
SECTION THRU TRANSOM (E-E)  
SCALE 3/8" = 1'-0"



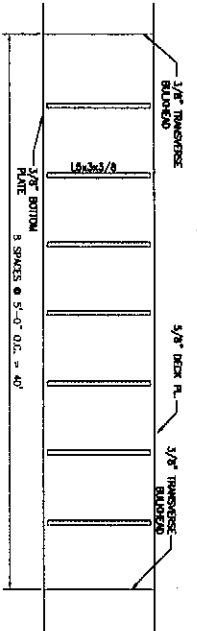
LONG. BULKHEAD SUPPORTS (24)  
SCALE 3/8" = 1'-0"



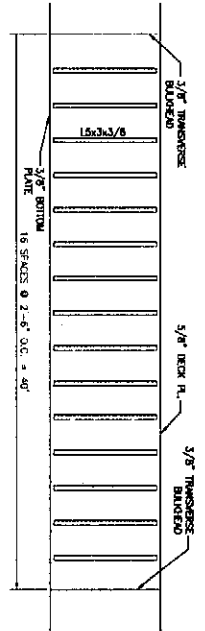
TRANSVERSE BOTTOM FRAME  
SCALE 1" = 1'-0"



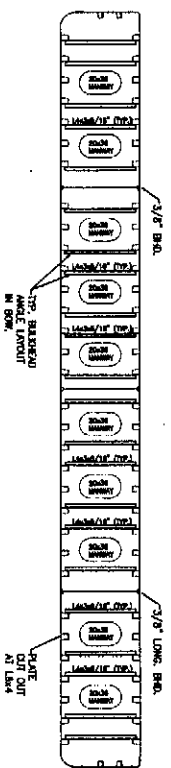
LONGITUDINAL SECTION (C-C)  
SCALE 1/4" = 1'-0"



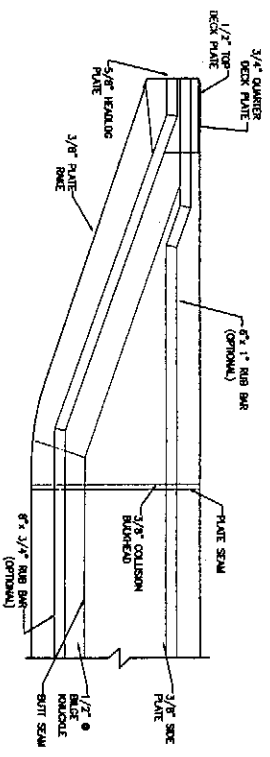
LONGITUDINAL SECTION (D-D)  
SCALE 1/4" = 1'-0"



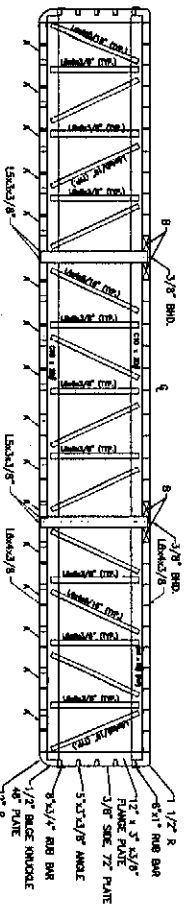
TRANSVERSE BULKHEAD - RAKE (E-F)  
SCALE 1/4" = 1'-0"



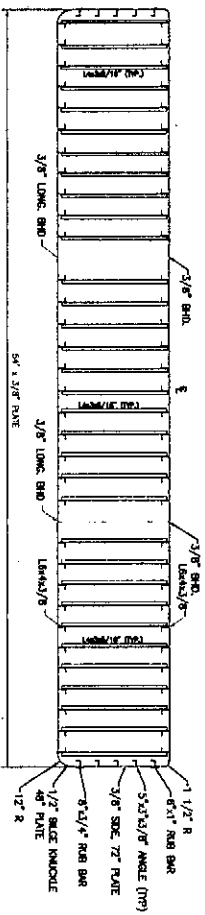
RAKE ELEVATION  
SCALE 3/8" = 1'-0"



TRANSVERSE TRUSS - MIDDLEBODY  
SCALE 1/4" = 1'-0"



TRANSVERSE BULKHEAD  
SCALE 1/4" = 1'-0"



CERES CONSULTING, L.L.C.  
3808 Cookson Road  
E. St. Louis, IL 62201-2126

DATE	5/17/00
PROJECT NO.	00000011

DATE	05/03/00
PROJECT NO.	00000011

ABS CLASSED  
150'x34'x8' DECK BEAM  
HULL "E-08-41"

BIG 903

MARINE CONSULTANT  
Manley Brothers LLC  
200 BENTON ST.  
Valley Park, MO 63068  
636-225-9106

DATE	05/03/00
PROJECT NO.	00000011



